



Installation, Use & Care Guide

Waste container, QU21



Welcome & congratulations

Congratulations on your purchase of this double drawer.

We at Ronda are very proud of our product and we hope you consider us for future purchases.

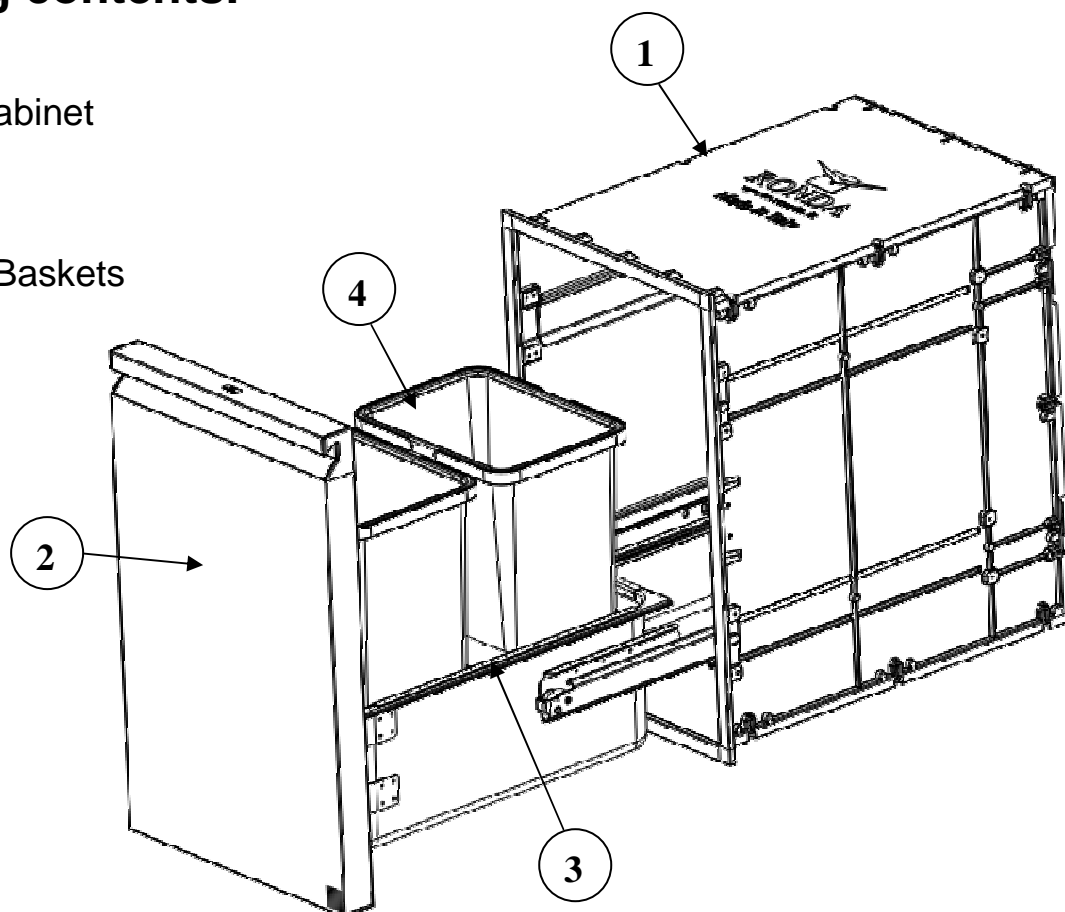
This product is made in our factory in Italy with components all made in Italy.

For any questions contact us at : info@ronda.it

PLEASE READ CAREFULLY AND SAVE THESE INSTRUCTIONS

Packaging contents:

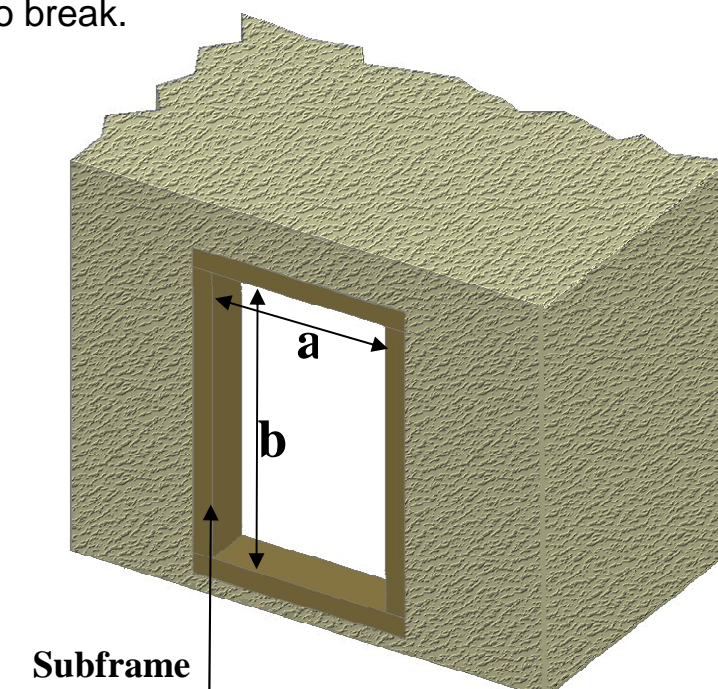
- # 1 SMC Cabinet
- # 2 Drawer
- # 3 Plate
- # 4 Plastic Baskets



Notes and Installation Tips

- **ALWAYS USE PROTECTION GLOVES AND EYE SAFETY GOGGLES:** Use care and always use protection gloves and safety goggles during installation and care. Because the drawers may have sharp edges, if not handled with care they can cause cuts and abrasions.
- Tools you will need : Power screw driver, manual screw driver, level, tape measure.
- Carefully unpack cabinets making sure not to scratch stainless steel fronts and not to loose or misplace any components.
- **DO NOT** remove polyethylene protective coating until installation is complete.
- Remove all drawers before installation. This will make cabinet easier to lift and install and give access to installation hardware.
- This product is made only for application on a subframe, which can be made in different materials (wood, plastic, aluminium) into a wall structure (Fig. 1)
- Do not use the drawers as ladder. This would be dangerous for you and can cause the item to break.

Fig. 1



Before Installation

- Verify model number on the box label.
- Verify the counter hole measure referring to the following table :

Model	Counter Hole				
		a		b	
QU21	inch	14.96	$\begin{matrix} +0,04 \\ 0 \end{matrix}$	24.44	$\begin{matrix} + 0,04 \\ 0 \end{matrix}$
	mm	380	$\begin{matrix} +1 \\ 0 \end{matrix}$	621	$\begin{matrix} +1 \\ 0 \end{matrix}$

The maximum deviation permitted is : 0.04” (1 mm). Otherwise the SMC panels get deformed and drawers don't work properly. Use spacers to get the right counter hole dimensions.

- Check with a level that the wall is plumb.
- Verify with a level the horizontal and vertical level of the counter hole and correct if not accurate.

Assembly and Installation

1. Carefully unpack cabinet making sure not to scratch stainless steel fronts.
Stainless is protected by a plastic coating that must be removed after setup.
2. Remove drawers and store in a safe place.

3. Put the cabinet inside the counter hole.

ATTENTION:

To correctly insert the cabinet , the slots on the guides must be turned upward. (see the foto)



4. Be sure that the cabinet fits well in the wall.

No clearance should be left between the edges of the cabinet and the wall.

If not, use spacers to fit.

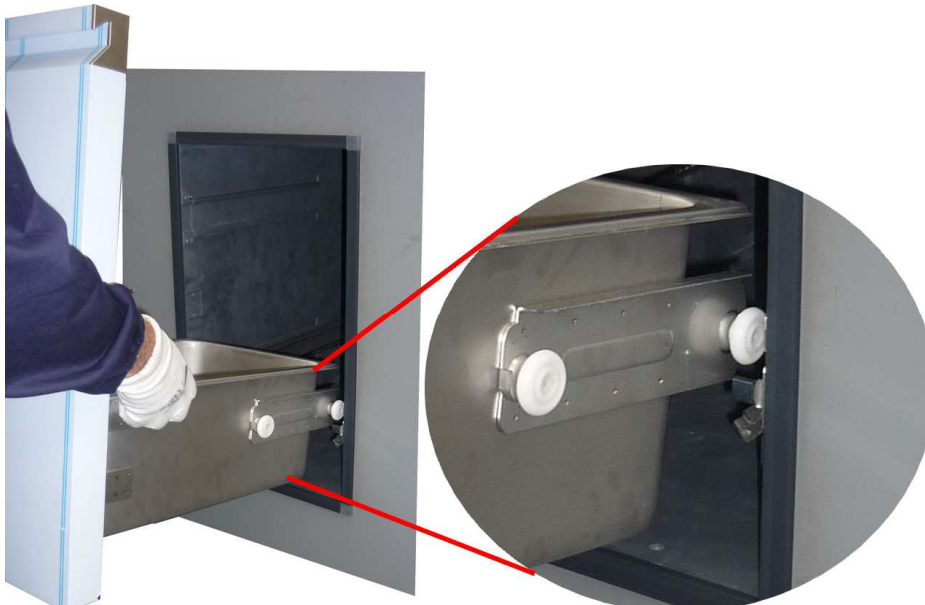


5. Secure the cabinet to the wall with screws in the dedicated matching holes in the cabinet.

Use # 12 mushroom head screws.



6. Insert the drawer rear wheels into the guide slots.



7. Put the drawer forward, than lift a bit to insert the second wheel and put inside.

Close completely the drawer.



8. Put the plate and the two baskets.



	IL-MO-052 Rev. 0 06/2010 Waste container – QU21	 Pag. 8 / 12
---	---	--

Care and cleaning

It is imperative that the owner realizes that he/she is required to perform reasonable maintenance and care of the drawers in order to maintain the manufacturers warranty. Failure to perform reasonable maintenance and care may void the warranty.

The following is a list of maintenance steps and things to avoid. This is not intended to be a complete list, but is to be used as a guideline for general care.

Carefully remove protective plastic peel coat from each stainless steel surface.

External Surfaces:

Clean stainless with stainless steel cleaner in direction of grain. Rubbing across the grain direction may produce minor scratches. Recommended cleaners are Weiman © , Stainless Steel Magic © and Sheila Shine ©.

In a salty air environment, a slightly more oily cleaner like Sheila Shine© will protect better against oxidation, pitting or slight surface rust. Cleaning the surfaces periodically will protect the finish for many years. In a heavily salty area, you will have to clean more frequently as salt breaks down into highly corrosive chlorine that will attack the metal. Surface corrosion will not affect performance of the product, but will affect the look.

DO NOT USE scratchy pads, scouring pads, or stiff sponges for cleaning. Do not use abrasive detergents, powdered cleansers or detergents containing acid substances or bleach.

Internal surfaces:

Clean the internal surface of the cabinet use warm water and soap. Wash after each use and dry to avoid formation of molds and staining.

The cabinet's working surface are constructed from Sheet Moulding Coumpound (SMC), a glass rinfoced polyester resin resistant to corrosion.

Removing and cleaning the magnetic gasket :

- Carefully insert a screwdriver into a corner of the gasket (1).
- Lift the gasket until it exits from the seat (2).
- Remove the gasket by hand (3).
- Clean with water and neutral detergent.
- Insert the gasket in its seat and strongly press it on all the perimeter. You can lubricate the gasket seat to do this easily.



Drawer Guides

Drawer load capacity should not exceed 50 lbs per drawer. Never use an extended drawer for a ladder or a work platform.

	IL-MO-052 Rev. 0 06/2010 Waste container – QU21	 Pag. 10 / 12
---	---	---

WARNINGS

- **Surfaces can be very hot when exposed to direct sunlight.**
- **Molds can form if not properly dried.**
- **Do not use as a ladder.**
- **Avoid any contact with electrical outlets or wires.**
- **This is only a food container. It is not a refrigerated space, and will not prevent food spoilage.**
- **If exposed to temperatures below – 4 °F and above + 120 °F deformation and malfunction of the drawers can occur.**
- **If installed adjacent to the heating elements of a barbeque, insulation can be less effective.**
- **If installed near to the sea, damage from salty water can occur.**
- **Keep drawers closed when not in use.**

LIMITED WARRANTY:

1. Limited Warranty.

RONDA warrants for a period of one (1) year from the date of purchase that each new RONDA product shall be free, under normal use and maintenance, from any defect in material and workmanship, subject to the exclusions and limitations set forth below.

2. Exclusions:

The limited warranty offered by RONDA is not applicable:

- a. to products subject to wear and tear as part of their normal function (rubber parts);
- b. to defects resulting from oxidation, damages from salty environment or the action of atmospheric agents;
- c. to defects resulting from incorrect use, misuse, neglect or abuse of the product or failure to carry out the maintenance recommended by RONDA;
- d. removal of drawers from their original location.
- e. “remodeling” after original installation.
- f. defects caused by failure to provide suitable installation environments for the product, including without limitation the frame ; and
- g. to defects resulting from faulty installation, modifications or adjustments not recommended or authorized by RONDA in writing, or repairs carried out improperly.

3. Coverage.

RONDA will remedy any material or workmanship found to be defective within the one (1) year limited warranty term as follows:

Any RONDA product which is found defective in material or workmanship within the one (1) year limited warranty term shall be repaired or replaced, at the option of RONDA, at the RONDA facilities located at

UTi, United States, Inc.
3717 Wilson Road SE, Suite 100
Atlanta
GA 30354

without charge. Any defective RONDA product replaced under this warranty shall become the property of RONDA.

4. Limitation.

The liability of RONDA under this limited warranty is limited solely to the repair or replacement of defective product at the RONDA location during normal business hours, without charge for you. Defects and delays in repair do not give you a right to compensation. This limited warranty does not include any expense of or related to transportation of the RONDA product to or from the RONDA location or compensation for inconvenience or loss of use of the product while the RONDA product is being repaired or replaced. TO THE MAXIMUM EXTENT PERMITTED BY

APPLICABLE LAW, RONDA SHALL NOT BE LIABLE FOR ANY OTHER EXPENSE, LOSS OR DAMAGE, WHETHER DIRECT, INCIDENTAL, CONSEQUENTIAL, OR EXEMPLARY ARISING IN CONNECTION WITH THE SALE OR USE OF OR INABILITY TO USE THE RONDA PRODUCT FOR ANY PURPOSE.

This limited warranty shall constitute your sole remedy and the sole liability of RONDA, whether on warranty, contract or negligence grounds, with regard to any actual or alleged defect in the condition or performance of any RONDA product. TO MAXIMUM EXTENT ALLOWED BY APPLICABLE LAW, THE FOREGOING STATEMENTS OF WARRANTY ARE EXCLUSIVE AND IN LIEU OF ALL OTHER REMEDIES.

RONDA'S LIABILITY ON ANY CLAIM OF ANY KIND RELATING TO THESE TERMS OR THE MANUFACTURE, SALE, DELIVERY, RESALE OR USE OF ANY RONDA PRODUCT, SHALL IN NO EVENT EXCEED THE PRICE OF THE RONDA PRODUCT WHICH GAVE RISE TO ANY SUCH CLAIM.

Some States do not allow the exclusion or limitation of incidental or consequential damages, so the above limitation or exclusion may not apply to you.

5. Disclaimer.

RONDA is not responsible for any accidents which may occur while the RONDA product is being used or as a result of, or causes arising from, its installation or use and shall not be liable for any loss, damages or harm to persons or things derived from the same. RONDA is not responsible for any damage to the drawers or to the outer casing caused by failure to properly maintain the product.

This warranty gives you specific legal rights, and you may also have other rights which vary from State to State.

6. Force Majeure.

RONDA shall not be responsible for any loss, damage or delay caused by industrial disturbances or disputes, strikes, fire, acts of nature, acts of God, casualty, embargoes, currency restrictions, labor, conflicts or shortages, war, radiation, civil riot, import or export restrictions, shortage of materials or labor, or any other cause beyond RONDA's reasonable control, even if RONDA knew, had reason to believe, or was advised of the possibility or probability of any such cause.

Ronda S.p.A.

Via Vegri, 83

36010 Zanè (VI) ITALY

Tel. +39 0445 385600 – Fax +39 0445 385700

Email: info@ronda.it

www.ronda.it