



Evo, Inc.
8140 SW Nimbus Ave., Bldg 5
Beaverton, OR 97008
P 503-626-1802 • F 503-213-5869
www.evoamerica.com

Project: _____
Location: _____
Item #: _____ Qty: _____
Model #: _____

AIA #

SIS#

QK21

Model# QK21

Basic Single Drawer




RONDA
Distributed by Evo, Inc.

Dry Storage Drawer

Hermetically Sealed Enclosure

Top Quality Materials for Long Life

- Single drawer with 304 stainless steel drawer face.
- Integrated pan, and heavy-duty rails with acetal resin rollers.
- Easily removed drawer provides convenient loading and cleaning.
- Integrated stainless steel pan supports one Full Size Pan (1/1), or half, third or fourth pans.

Insert Food Containers To Drawer Pan for Hygiene and Safety

- Integrated stainless steel pan supports one full size pan (1/1), or half, third or fourth pans.

Professional Design

- Multiple styles of drawer and drawers allows designers to quickly construct quality NSF foodservice counters.
- For indoor or outdoor use.
- Convenient and fast installation.

SHORT FORM SPECIFICATIONS:

Self-contained, NSF certified, single-drawer with integrated rail guides. Single 304-stainless steel insulated drawer face mounted to full-size 11" depth stainless steel storage pan with 304-stainless steel tracks and acetal resin rollers. Drawer face measuring 17.79" x 18.26" has replaceable magnetic gasket providing a hermetic watertight seal. A drawer face frame made from high-strength composite allows easy installation to indoor and outdoor kitchen cabinet installations.

Data

Model	INNER Box Dimensions			OUTER Drawer Front Dimensions			Weight
	H	W	D	H	W	D	
QK21	16 1/2" 419mm	17" 431mm	18 25/32" 477mm	17 13/16" 452mm	18 9/32" 464mm	2 11/32" 59.5mm	29 lbs 13 kg

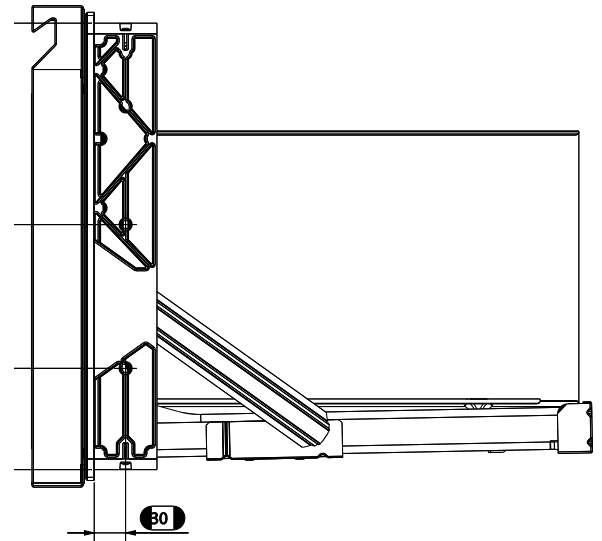
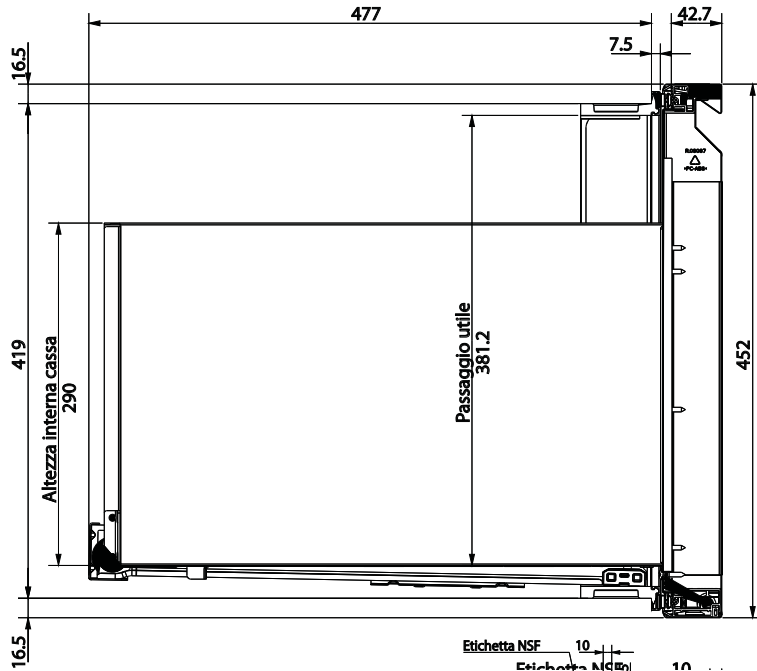
Due to ongoing product improvement, specifications are subject to change without notice.



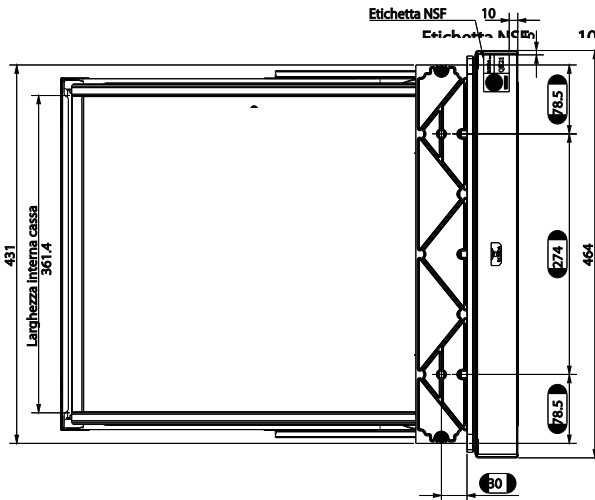
Approvals:

Available At:

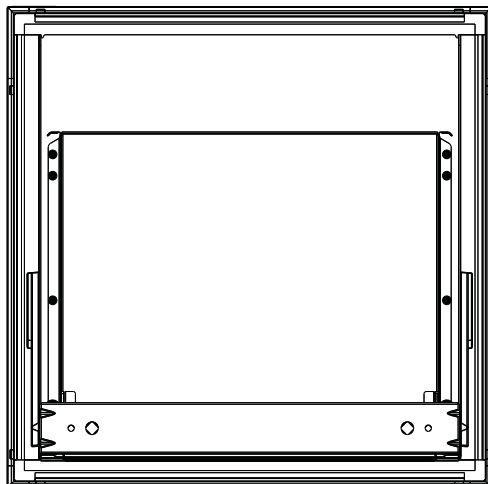
Side



Top



Front



Evo, Inc. is the North and South America Distributor for Ronda Drawers and Doors

Evo, Inc. 8140 SW Nimbus Ave., Bldg. 5, Beaverton Oregon 97008
 Ph 503-626-1802 • Fax 503-213-5869 • www.evoamerica.com • sales@evoamerica.com
 Evo® is a registered trademark of Evo, Inc. Ronda® is a registered trademark of Ronda S. p.A.