



Evo, Inc.  
 8140 SW Nimbus Ave., Bldg 5  
 Beaverton, OR 97008  
 P 503-626-1802 • F 503-213-5869  
 www.evoamerica.com

Model# 10-0021

## Evo® Professional Tabletop - Residential

### Gas Circular Flattop Grill

#### OUTDOOR



#### Circular Flattop Grill Designed To Create A Social Cooking Space At Home

- 30" (762mm) circular black seasoned steel cooking surface.
- Two circular temperature zones: inner and outer surface.
- Variable temperatures 225°F to 700°F (121°C to 371°C).
- With LP Propane gas, inner burner 15,365 BTUs max, outer burner 24,730 BTUs max for a total of 40,095 BTUs.
- With Natural Gas, inner burner 19,135 BTUs max, outer burner 31,592 BTUs max for a total of 50,727 BTUs.
- Knobs separately control inner and outer burners.
- Electronic push button ignition.
- LP Propane gas standard, and Natural Gas option.

#### Designed To Setup And Cook Outdoors

- Easy set-up on picnic or banquet table.
- Heat shield prevents heat from damaging table top.
- Stainless steel tank sleeve conceals gas tank.
- Quick release removable cook surface and drip pan.

#### Easy Operation, Easy Maintenance, Easy Cleanup

- Cooking techniques: sauté, braise, flattop (plancha) grilling, pan fry, roast, poach, steam, toast.
- Cooking surface is extremely durable and easy to clean.
- Stainless steel burners are protected against spill overs.
- Stainless steel drip pan surrounds cook surface with side mounted spill collection tray.

#### SHORT FORM SPECIFICATIONS:

*The Evo Professional Tabletop has a 30" (762mm) diameter black seasoned steel cook surface heated underneath by inner and outer gas tube burners. Surface temperatures range from 225°F to 700°F (121°C to 371°C) from the center to the outside edge. A stainless steel drip pan completely surrounds the underside of the cook surface catching all food debris. The Professional Tabletop is the ideal grill for creating a social cooking space at home or on the road. Available with either Natural Gas or LP Propane.*

### Data

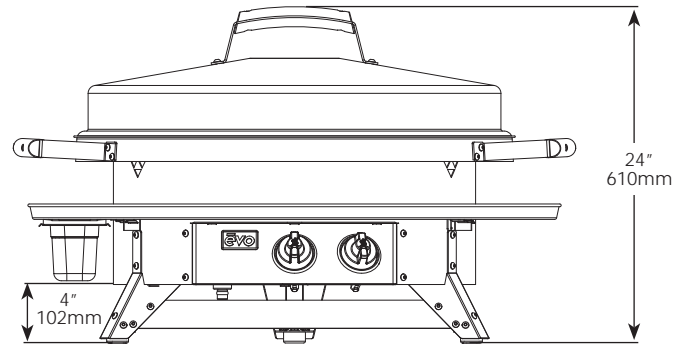
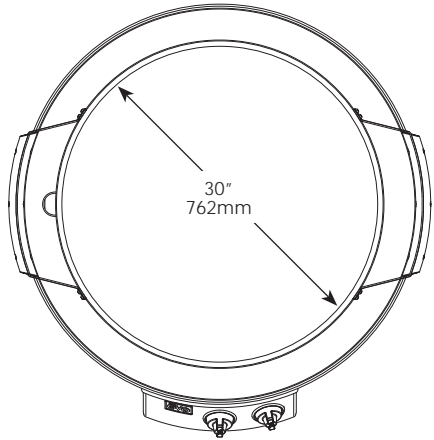
Model	Cook Surface	Dimensions		BTU Rate	Net Weight	Ship Weight
		H	W			
10-0021	30 Inches	14" 356mm	40" 1016mm	NG 50,727 LP 40,095	117 lbs 53 kg	181 lbs 82 kg

Due to ongoing product improvement, specifications are subject to change without notice.





Model# **10-0021** **Evo® Professional Tabletop - Residential**



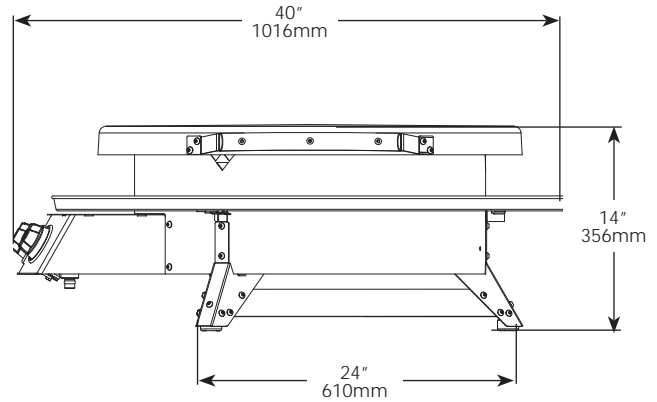
**Optional Accessories**



**Vinyl Cover**  
For Protection  
12-0103-AC



**Ceramic Coating Upgrade**  
For Easy Maintenance  
11-0001-UG



<b>INSTALLATION REQUIREMENTS</b>	
Cooking surface must be installed level. Outdoor installation with minimum 12" (305mm) to adjacent combustible construction extended above the top of the appliance: 12" (305mm) from sides and 12" (305mm) from back.	
<b>NATURAL GAS CONNECTION</b>	<b>LP PROPANE CONNECTION</b>
<b>OPERATING PRESSURE</b> No regulator, connect to an outlet pressure of 7" water column. <b>INLET / SUPPLY CONNECTION</b> 1/2" FNPT. 12' Hose with 1/2" FNPT Quick Disconnect Supplied. 1/2" NPT to 3/8" Flare supplied. <b>BTUs:</b> 50,727 <b>CONNECTION LOCATION</b> Under Front Control Panel.	<b>OPERATING PRESSURE</b> Regulator is set for an outlet pressure of 11" water column. <b>INLET / SUPPLY CONNECTION</b> 1/2" FNPT Inlet. 5' Hose & Regulator with QCC1 Supplied. 1/2" NPT to 3/8" Flare supplied. <b>BTUs:</b> 40,095 <b>CONNECTION LOCATION</b> Under Front Control Panel.
<b>DIMENSIONS</b>	<b>WEIGHT</b>
<b>MAXIMUM (H X W)</b> 24" x 40" with hood (610mm x 1016mm) 14" x 40" without hood (356mm x 1016mm) <b>COOK SURFACE</b> 30" diameter (762mm)	<b>NET:</b> 117 lb EST. (53 kg) <b>SHIP:</b> 181 lb EST (82 kg)  <b>CRATE DIMENSIONS:</b> 40" x 40" x 34" (1016mm x 1016mm x 864mm)
<b>STANDARD FEATURES</b>	<b>ACCESSORIES INCLUDED</b>
<ul style="list-style-type: none"> <li>30" circular black seasoned steel cook surface over dual independent manually controlled gas burners.</li> <li>Quick release removable cook surface and drip pan.</li> <li>Electronic push button ignition.</li> <li>Stainless steel lid.</li> </ul>	<ul style="list-style-type: none"> <li>Professional grill surface cleaning kit (3M brand) - Includes handle pads and cook surface cleaning screens.</li> <li>2 stainless steel spatulas, 1 stainless steel scraper, stainless steel cleaner and protectant.</li> <li>Owner's Manual, Use and Care Instructions &amp; Evo Color Illustrated Cookbook.</li> </ul>