



Evo, Inc.  
 8140 SW Nimbus Ave., Bldg 5  
 Beaverton, OR 97008  
 P 503-626-1802 • F 503-213-5869  
 www.evoamerica.com

Model# 10-0122-ATK

## Trim Kit for Evo® 30Ge Cooktop

### Square Insert

#### ACCESSORY

Designed For Easy Installation of the Affinity 30Ge Drop-in Cooktop

- Allows drop-in installation of Evo Affinity 30Ge Cooktop to countertop cutout.
- 16-gauge and 18-gauge stainless steel construction with #4 brushed finish on outside surfaces.
- Stainless steel cabinet construction for easy cleaning and weather resistance.
- Corners are fully welded, ground smooth and blended.



Shown with 30Ge Installed



Evo Cooktop sold separately.

#### SHORT FORM SPECIFICATIONS:

The Evo 11-0122-ATK Trim Kit is designed for easy installation of the Evo Affinity 30Ge Circular Cooktop drop-in unit to countertop cutout. The Trim Kit is constructed of 304 16 and 18 gauge stainless steel. All exposed surfaces have a number 4 finish. *Evo Cooktop sold separately.*

## Data

| Part #      | For Evo Model | Trim Kit Dimensions |               |                  | Trim Kit Weight   |
|-------------|---------------|---------------------|---------------|------------------|-------------------|
|             |               | H                   | W             | D                |                   |
| 11-0122-ATK | Affinity 30Ge | 10 5/8"<br>270mm    | 40"<br>1016mm | 33 1/8"<br>841mm | 23 lbs<br>10.4 kg |

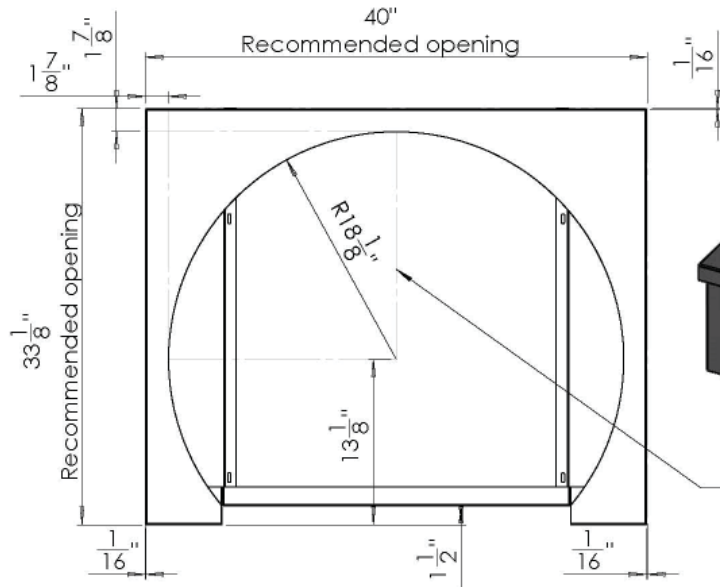
Due to ongoing product improvement, specifications are subject to change without notice.





Model# 11-0122-ATK

# Trim Kit for Evo® 30Ge Cooktop



*Evo Cooktop sold separately.*

