

Trim Kit for Evo Affinity 30G

(Shown installed to granite topped cabinet)

ASSEMBLY & INSTALLATION INSTRUCTIONS

Trim Kit for Evo Affinity 30G

THIS MANUAL MUST BE RETAINED FOR FUTURE REFERENCE. READ, UNDERSTAND, AND FOLLOW THE INSTRUCTIONS AND WARNINGS CONTAINED IN THIS MANUAL.

CAUTION

POTENTIALLY SHARP METAL EDGES, IF NOT AVOIDED, MAY RESULT IN MINOR OR MODERATE INJURY.



Notes

To Installer or Person Unpacking Trim Kit

Leave these instructions with purchaser.

To Purchaser:

Keep these instructions for future reference.

Complete Now For Future Reference

Date Purchased _____ Location Purchased _____

Date Installed _____ Location Installed _____

ASSEMBLY & INSTALLATION INSTRUCTIONS

Trim Kit for Evo Affinity 30G

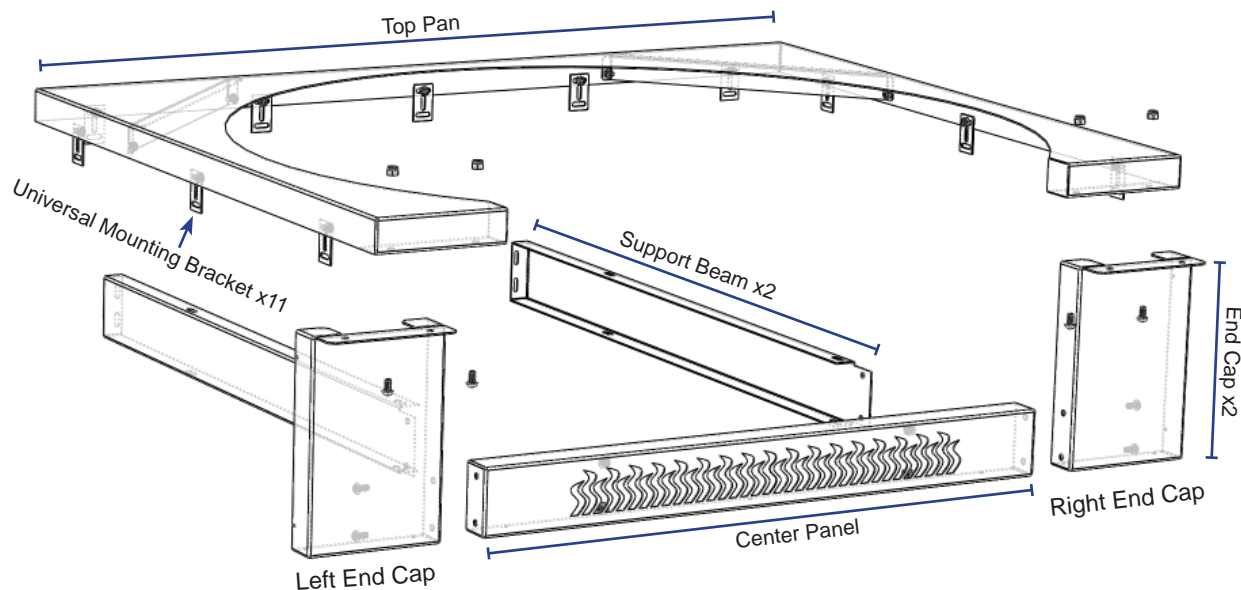
INSTALLATION CHECKLIST

	PAGE #
<input type="checkbox"/> TRIM KIT COMPONENTS	4
<input type="checkbox"/> TRIM KIT DIMENSIONS	5 - 6
<input type="checkbox"/> TRIM KIT ASSEMBLY & INSTALLATION	7 - 11

ASSEMBLY & INSTALLATION INSTRUCTIONS

Trim Kit for Evo Affinity 30G

TRIM KIT COMPONENTS



The Trim Kit for the Evo Affinity 30G is shipped partially assembled and requires installation and final assembly. Included in the kit are six (6) separate stainless steel metal components and one (1) package of hardware as listed below:

Parts List INCLUDED with Trim Kit

Qty	Trim Kit Metal Parts
1	Top Pan
2	Support Beam
2	End Cap (1 Left, 1 Right)
1	Center Panel
11	Universal Mounting Brackets (pre-installed)

Hardware Bag

For Trim Kit Assembly:

8	1/4" - 20 x 1/2" SS Screw
8	1/4" - 20 Nyloc Nut

For Use When Installing Evo Cooktop:

4	1/4" - 20 SS Hex Bolt
4	1/4" SS Lock Washer

Literature Bag

1	Installation Instructions
---	---------------------------

Items REQUIRED for Assembly

Qty	Tools Needed
1	#2 Phillips Screw Driver
1	7/16" Open-End Box Wrench
1	3/8" Open-End Box Wrench
1	Construction Level
	Suitable Silicone Sealant

Hardware Needed (Not Included)

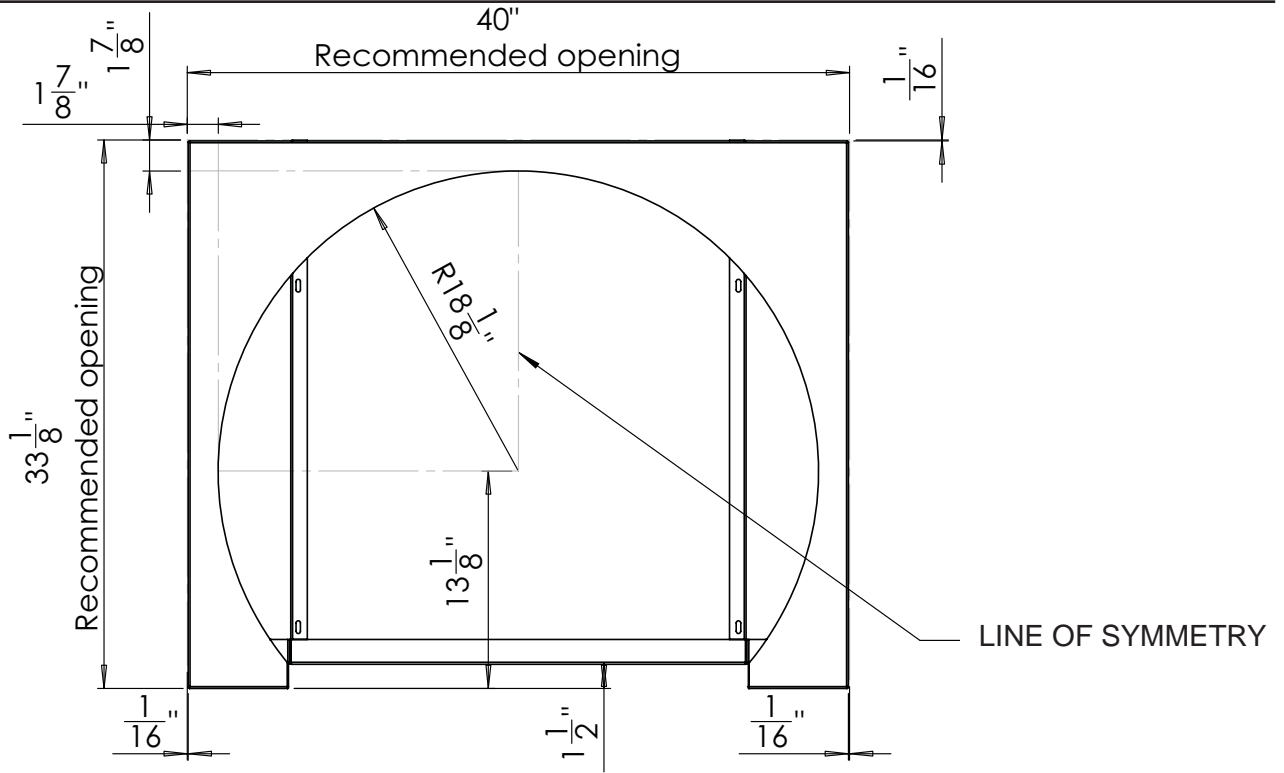
26	Suitable construction screws
----	------------------------------

ASSEMBLY & INSTALLATION INSTRUCTIONS

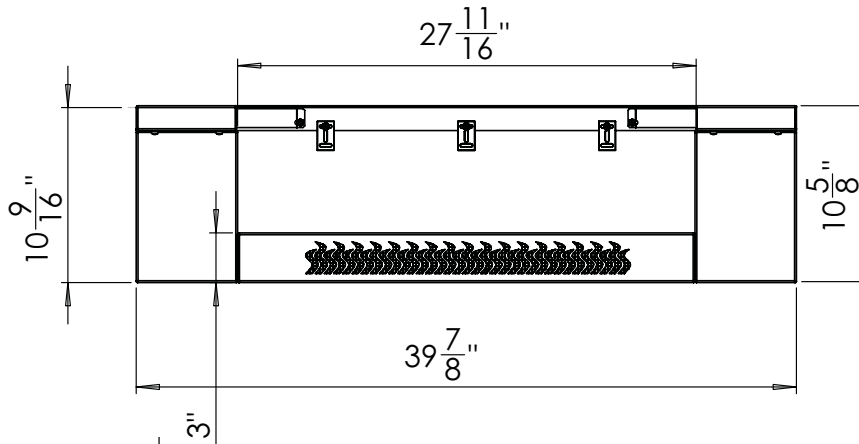
Trim Kit for Evo Affinity 30G

TRIM KIT DIMENSIONS

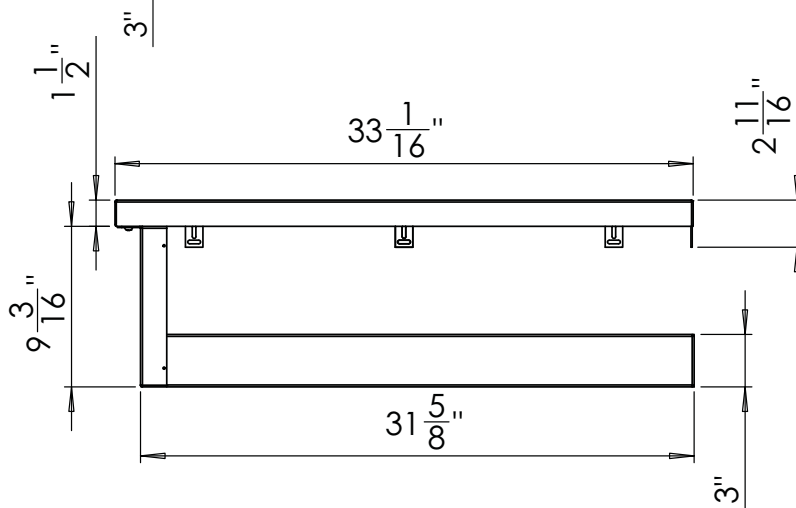
TOP VIEW



FRONT VIEW



SIDE VIEW

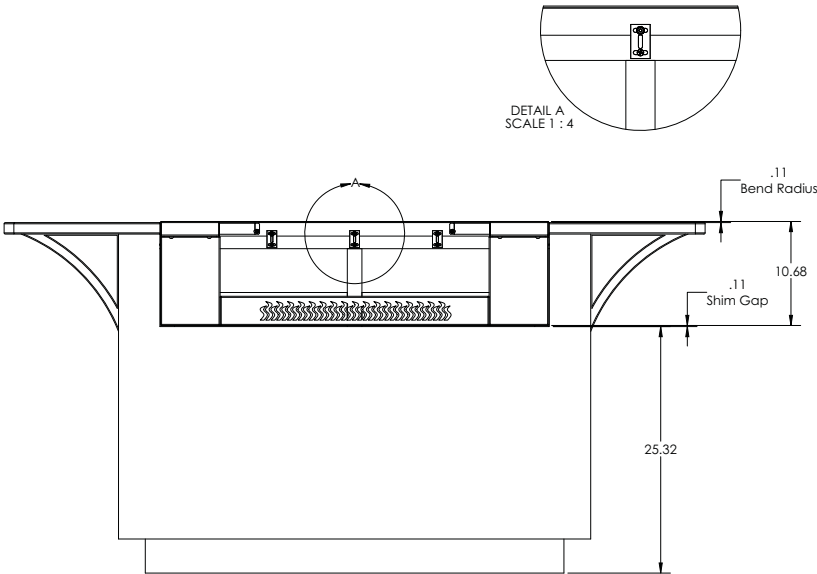


ASSEMBLY & INSTALLATION INSTRUCTIONS

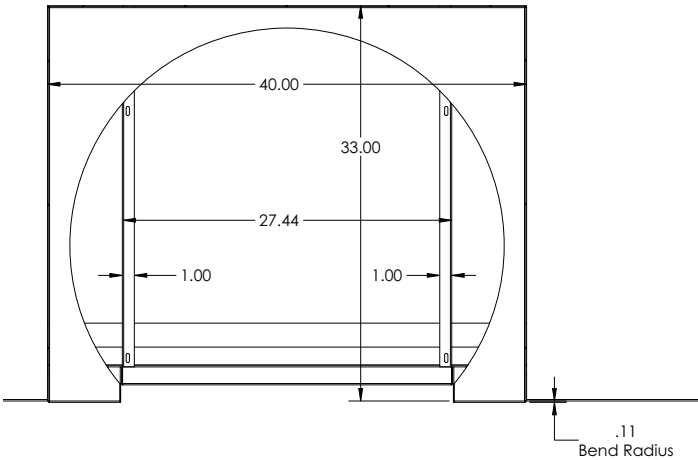
Trim Kit for Evo Affinity 30G

TRIM KIT DIMENSIONS

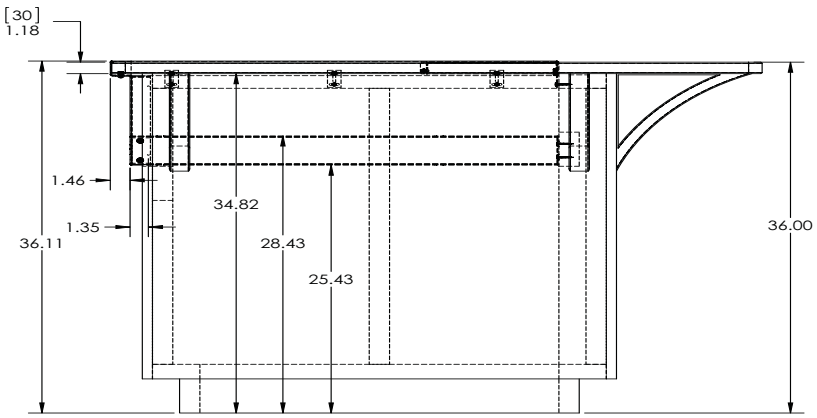
FRONT VIEW DIMENSIONS



TOP VIEW DIMENSIONS



SIDE VIEW DIMENSIONS

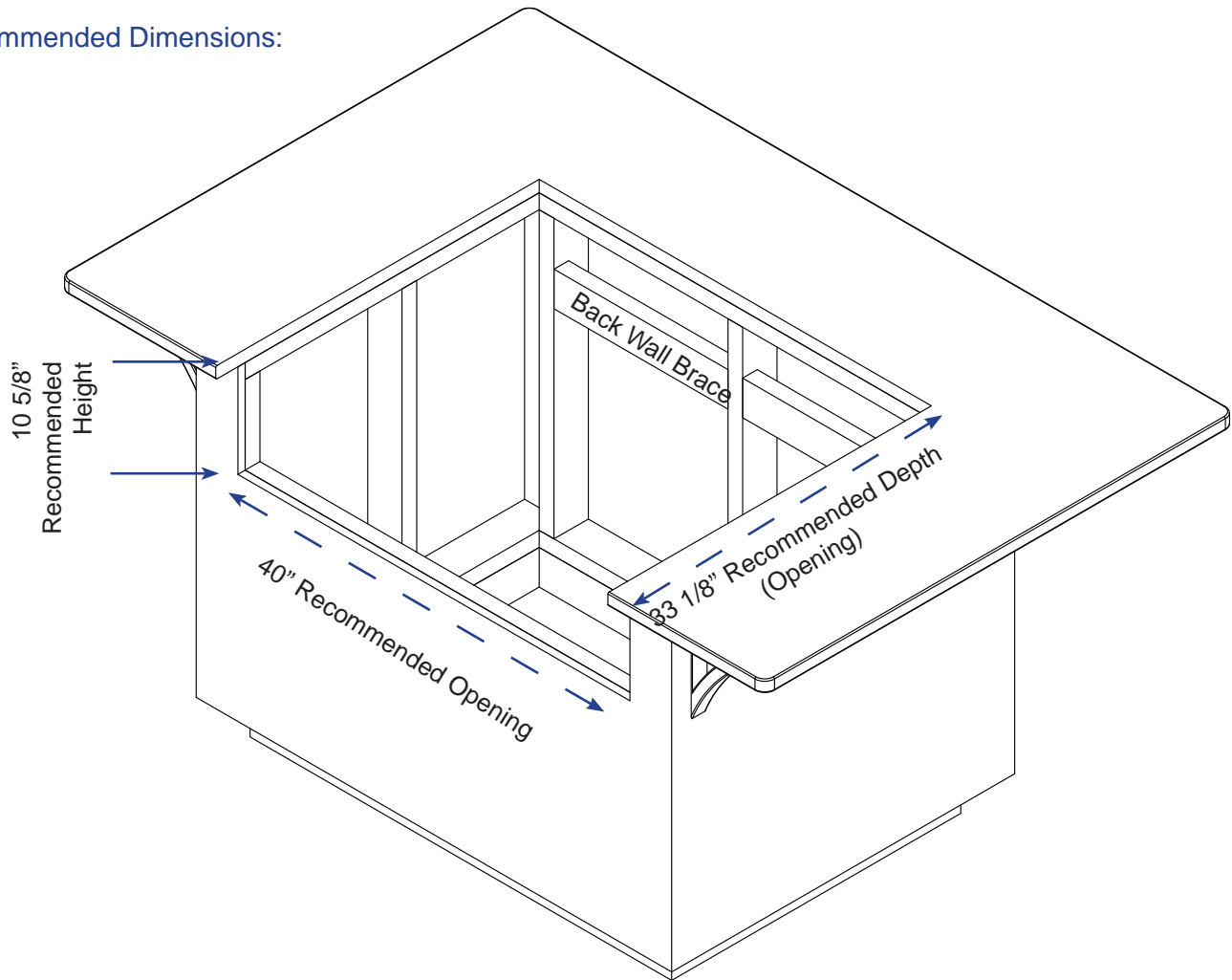


ASSEMBLY & INSTALLATION INSTRUCTIONS

Trim Kit for Evo Affinity 30G

TRIM KIT ASSEMBLY & INSTALLATION

Recommended Dimensions:

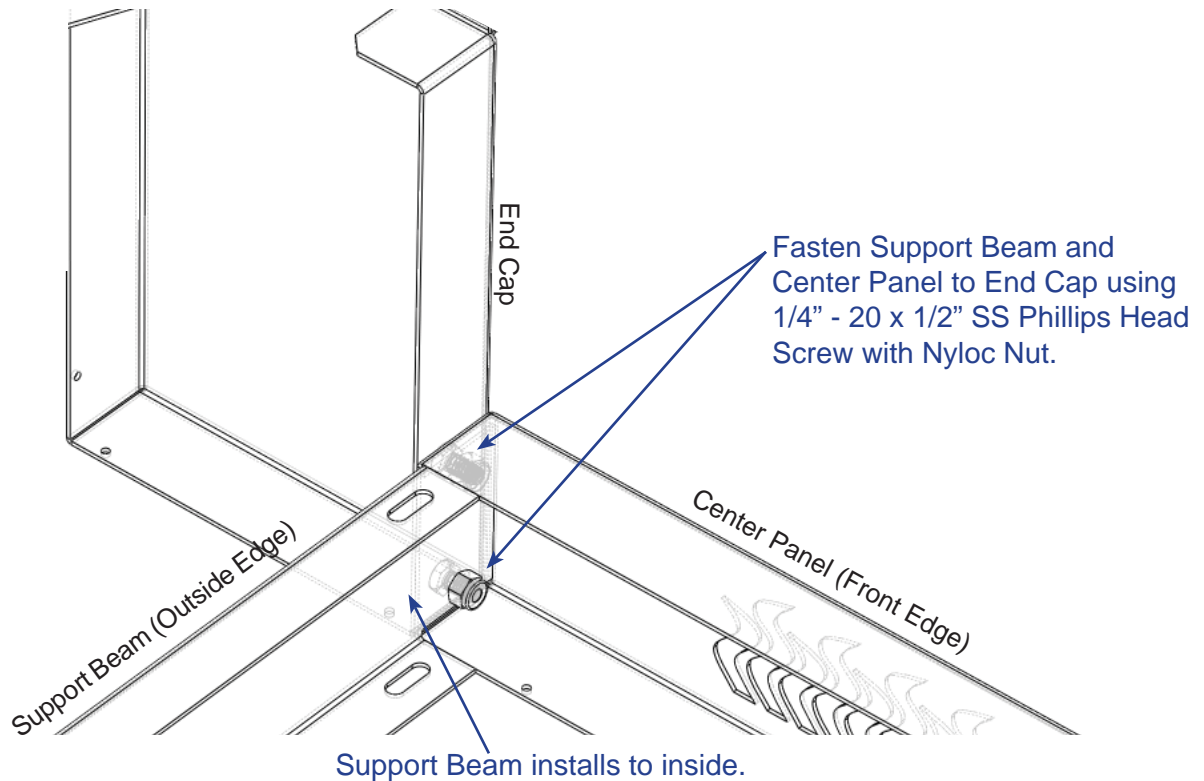


STEP 1: Prepare cabinet construction using either wood or steel framing. It is recommended to have a cutout measuring 33 1/8" depth by 40" width by 10 5/8" height.

ASSEMBLY & INSTALLATION INSTRUCTIONS

Trim Kit for Evo Affinity 30G

TRIM KIT ASSEMBLY & INSTALLATION



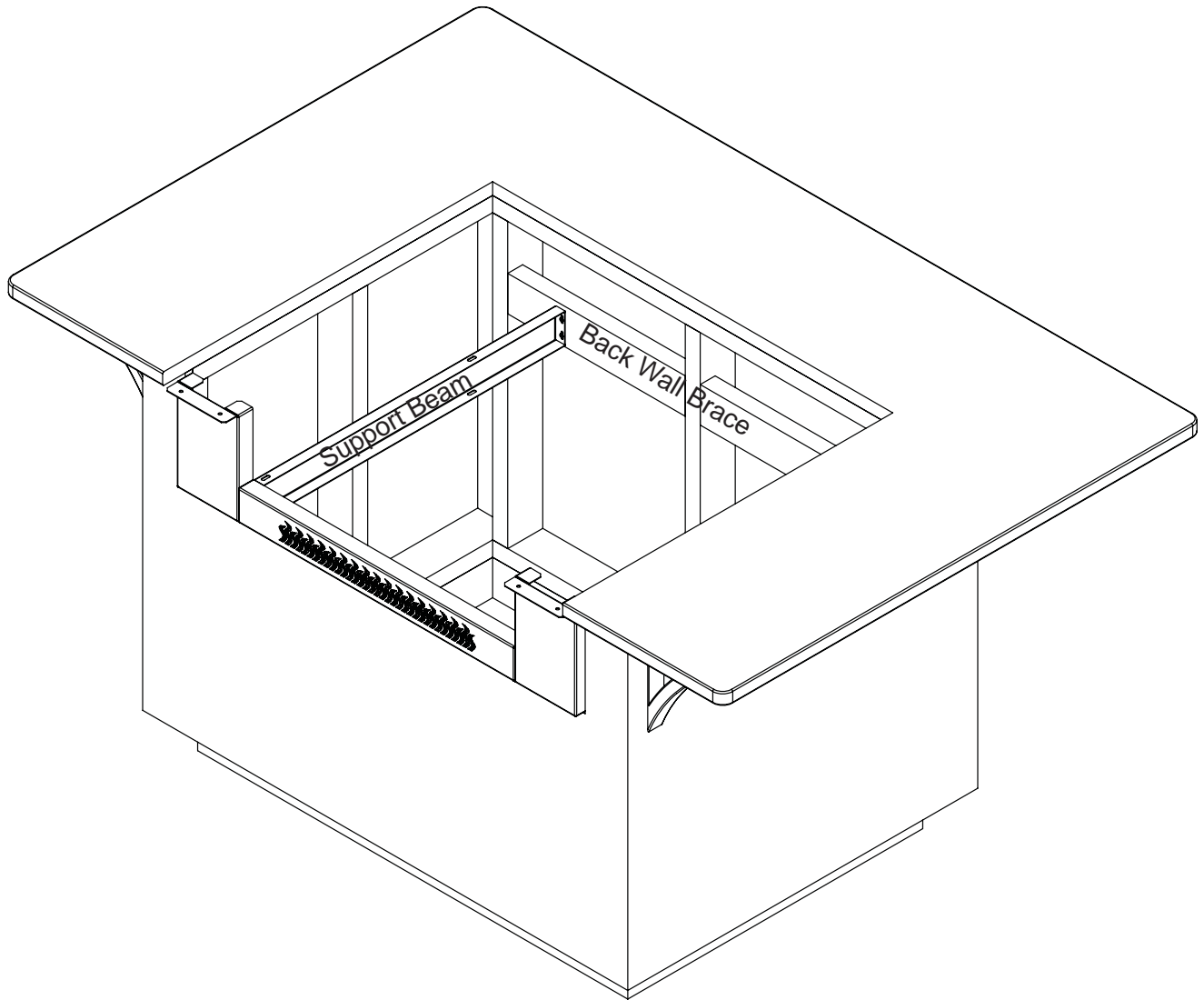
STEP 2: Locate Support Beam and Center Panel as shown, and fasten in place with two (2) 1/4" - 20 x 1/2" SS Phillips Head Screws with Nyloc Nuts.

STEP 3: Repeat same process for opposite side.

ASSEMBLY & INSTALLATION INSTRUCTIONS

Trim Kit for Evo Affinity 30G

TRIM KIT ASSEMBLY & INSTALLATION

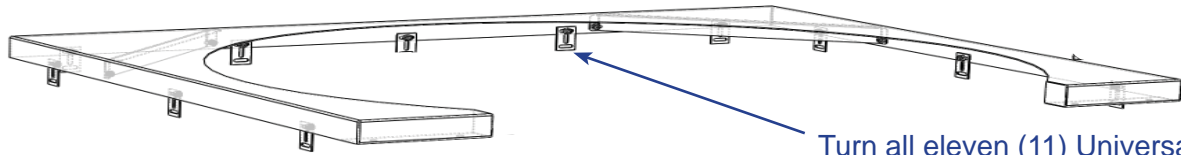


STEP 3: Check dimensions of frame construction fit by placing assembled Trim Kit base into prepared cabinet. Mark location for Back Wall Brace. Align Support Beam to marked position of Back Wall Brace and check to ensure Support Beam is level and the Front Panel is positioned to be flush with the front cabinet construction. Attach Support Beam to Back Wall Brace using suitable construction screws (not included).

ASSEMBLY & INSTALLATION INSTRUCTIONS

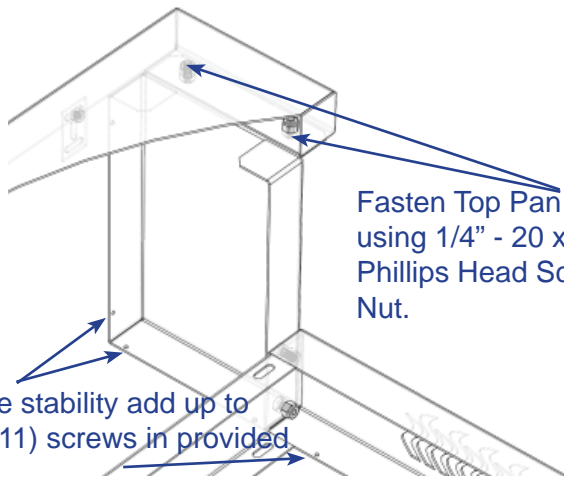
Trim Kit for Evo Affinity 30G

TRIM KIT ASSEMBLY & INSTALLATION



Turn all eleven (11) Universal Mounting Brackets to vertical position.

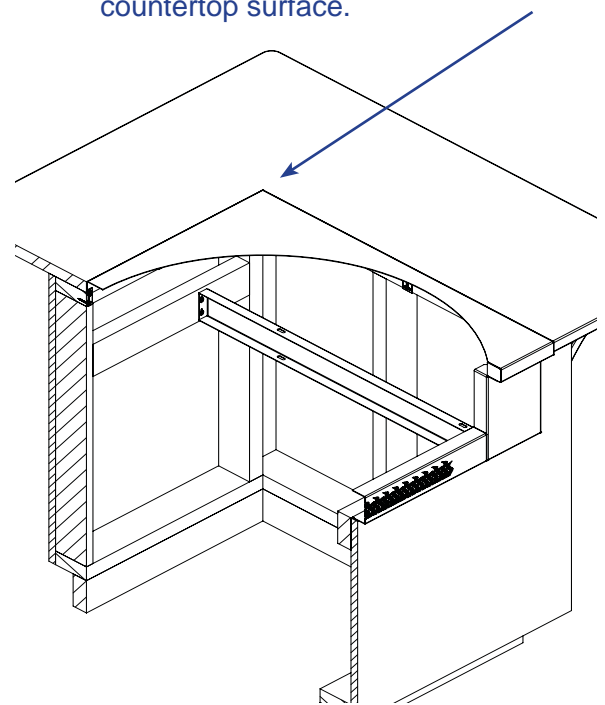
STEP 4: With 3/8" wrench, loosen and turn the eleven (11) installed Universal Mounting Brackets on Top Pan to a vertical position. Loosely attach rear of Trim Kit Top to cabinet with two (2) Universal Mounting Brackets and two (2) screws (not included) to hold up and check for fit.



Fasten Top Pan to End Cap using 1/4" - 20 x 1/2" SS Phillips Head Screw with Nyloc Nut.

For more stability add up to eleven (11) screws in provided holes.

It is recommended the Trim Kit Top Pan be level and flush to the adjoining countertop surface.

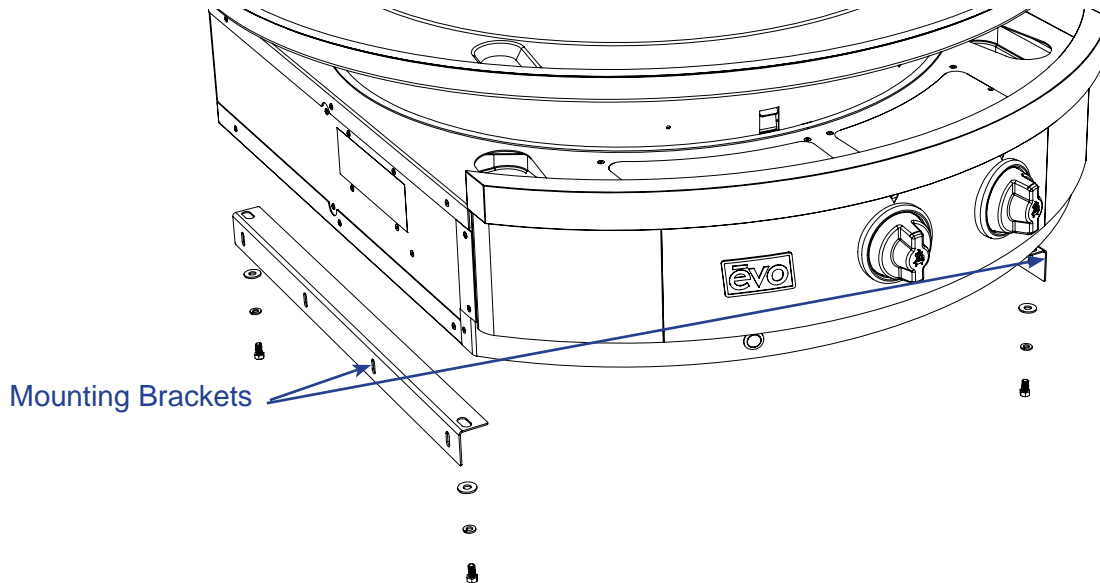


STEP 5: Fasten Top Pan to End Cap using four (4) 1/4"- 20 x 1/2" SS Phillips Head Screw and Nyloc Nuts as shown. Next shim, level and readjust until Top Pan is flush with countertop. Secure Top Pan with the remaining nine (9) Universal Mounting Brackets and nine (9) additional suitable construction screws (not included). It may be necessary to adjust the location of the Universal Mounting Bracket with a 3/8" open end wrench to align with cabinet frame. For more stability, secure Trim Kit with up to eleven (11) more screws (not included) in provided holes as shown.

ASSEMBLY & INSTALLATION INSTRUCTIONS

Trim Kit for Evo Affinity 30G

TRIM KIT ASSEMBLY & INSTALLATION



STEP 6: Remove two (2) mounting brackets with 7/16" Open End Box Wrench installed on Evo Affinity 30G Cooktop.

STEP 7: To install the Evo cooktop into the assembled and installed Trim Kit, follow the installation instructions in the Affinity 30G Owner's Manual. It is recommend to seal the gap between Trim Kit and countertop with silicone (not included).



Ignition components are exposed during uncrating and installation. Use caution and do not alter factory set positions.

